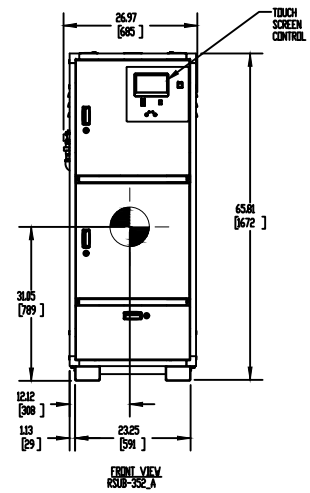
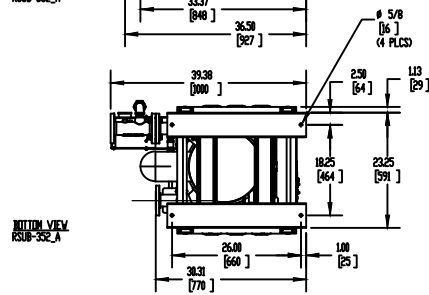
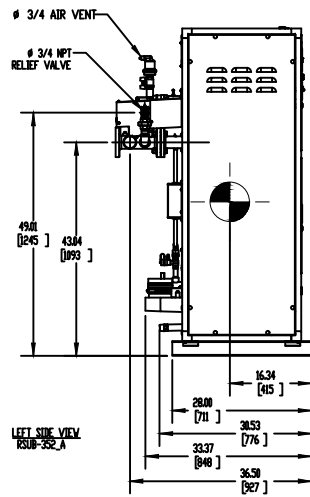
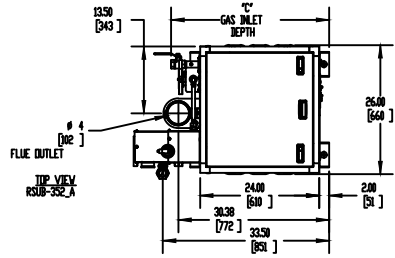


GAS OPTION	1"	1 1/2"	2"
NG	1 NPT	5.70	3.82
LP	3/4 NPT	5.70	3.51



NOTES:

1. SYMBOL INDICATES CENTER OF GRAVITY.
2. DIMENSIONS ARE NOMINAL AND SUBJECT TO MANUFACTURING VARIATION AND SHOULD NOT BE USED FOR "ROUGHING IN".
3. ALL DIMENSIONS ARE INCHES (mm).